

ISO A COUPLINGS - Stainless Steel

S-QAM & S-QAF SERIES

ISO 7241:2014 SERIES A

QUICK-RELEASE (PULL-BREAK) HYDRAULIC COUPLINGS



INTRODUCTION

S-QAM / S-QAF Series couplings are made in AISI 316 stainless steel. They are designed to be tough, durable, and of superior quality to competing ISO 7241 Series A products, while retaining their advantages.

FEATURES

- ✓ Operating Temperatures (with FKM seals): -20°C to 200°C
- ✓ Positive, quick connection ensured by the snap-together locking ball system.
- ✓ Poppet valves have balanced springs and calibrated oil flow passages to minimise the pressure drop.
- ✓ Bi-directional Flow

MATERIALS

AISI 316 stainless steel, fitted with FKM seals. For the carbon steel version, please see the QAM & QAF series.

APPLICATIONS

Suitable for corrosive fluids and environments, marine, offshore/onshore, chemical and pharmaceutical environments.

Performance Characteristics	Body Size							
	1/4"	3/8"	1/2"	3/4"	1"	1-1/4"	1-1/2"	2"
Maximum Working Pressure (Coupled)	300 Bar	250 Bar	250 Bar	250 Bar	200 Bar	140 Bar	140 Bar	90 Bar
	4350 PSI	3625 PSI	3625 PSI	3625 PSI	2900 PSI	2030 PSI	2030 PSI	1305 PSI
Burst Pressure (Coupled)	900 Bar	750 Bar	750 Bar	750 Bar	600 Bar	420 Bar	420 Bar	270 Bar
	13050 PSI	10880 PSI	10880 PSI	10880 PSI	8700 PSI	6090 PSI	6090 PSI	3925 PSI
Burst Pressure (Male)	950 Bar	820 Bar	820 Bar	820 Bar	650 Bar	450 Bar	470 Bar	300 Bar
	13780 PSI	11895 PSI	11895 PSI	11895 PSI	9430 PSI	6530 PSI	6815 PSI	4350 PSI
Burst Pressure (Female)	900 Bar	750 Bar	750 Bar	750 Bar	600 Bar	420 Bar	420 Bar	270 Bar
	13055 PSI	10880 PSI	10880 PSI	10880 PSI	8700 PSI	6090 PSI	6090 PSI	3915 PSI
Rated Flow	3 L/min	23 L/min	45 L/min	106 L/min	189 L/min	288 L/min	379 L/min	757 L/min
	0.8 GPM	6.1 GPM	12 GPM	28 GPM	50 GPM	76 GPM	100 GPM	200 GPM

✓ The right connector
✓ The right price

www.fluidconnectors.com

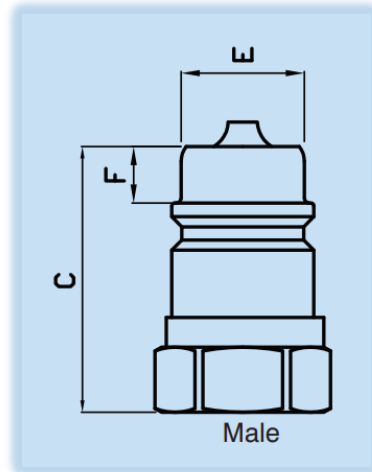
NZ: +64 9 274 4830

AU: +61 8 9244 8266



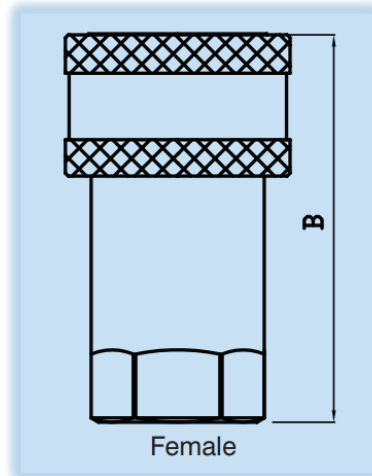
Dimensions

Male Coupler (S-QAM)

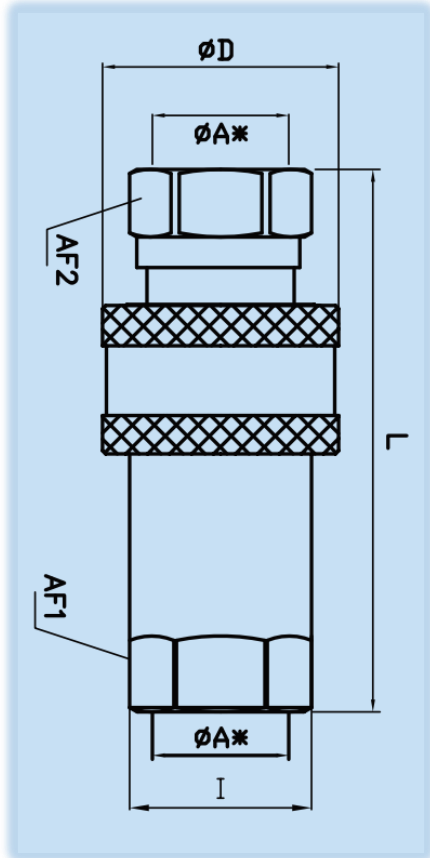


Male

Female Coupler (S-QAF)



Female



Part Number	Body Size	ØA (Thread)*	C	E	F	AF2 (hex)	L
S-QAM-BPF-0404	1/4"	1/4" BSPP F	36	11.8	5.5	19	71.5
S-QAM-BPF-0606	3/8"	3/8" BSPP F	36.5	17.3	8.9	22	75.2
S-QAM-BPF-0808	1/2"	1/2" BSPP F	43.5	20.5	9.3	27	88.1
S-QAM-BPF-1212	3/4"	3/4" BSPP F	57	29.1	16	35	110.2
S-QAM-BPF-1616	1"	1" BSPP F	60	34.3	20	41	120
S-QAM-BPF-2020	1-1/4"	1-1/4" BSPP F	69	45	25	50	150
S-QAM-BPF-2424	1-1/2"	1-1/2" BSPP F	84	55	30.7	60	168.1
S-QAM-BPF-3232	2"	2" BSPP F	105	65.1	35	75	210.2

*Alternative threads (NPTF, UN) available on request for both male and female couplers

Part Number	Body Size	ØA (Thread)*	B	ØD	I	AF1 (hex)	L
S-QAF-BPF-0404	1/4"	1/4" BSPP F	50	26	22	19	71.5
S-QAF-BPF-0606	3/8"	3/8" BSPP F	56	32.4	24	22	75.2
S-QAF-BPF-0808	1/2"	1/2" BSPP F	66	38	30	27	88.1
S-QAF-BPF-1212	3/4"	3/4" BSPP F	80	48	38	34	110.2
S-QAF-BPF-1616	1"	1" BSPP F	94.5	56	45	41	120
S-QAF-BPF-2020	1-1/4"	1-1/4" BSPP F	115	70	57	50	150
S-QAF-BPF-2424	1-1/2"	1-1/2" BSPP F	133	84	66	60	168.1
S-QAF-BPF-3232	2"	2" BSPP F	164	98.6	83.3	75	210.2

All dimensions in mm unless otherwise stated. Dimensions shown are for guidance only, if critical contact FC staff.

✓ The right connector
✓ The right price

www.fluidconnectors.com

NZ: +64 9 274 4830

AU: +61 8 9244 8266

